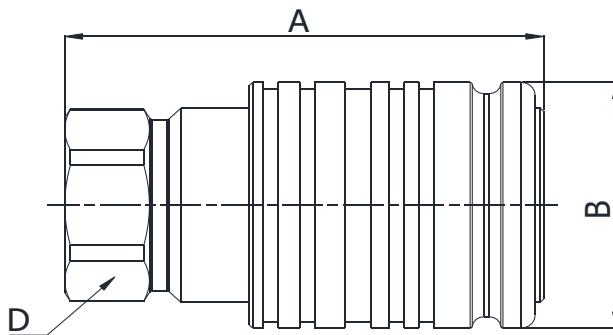


Q01311040A

BSP TERMINATION ENDS
TO ISO 8434-6
BULKHEAD

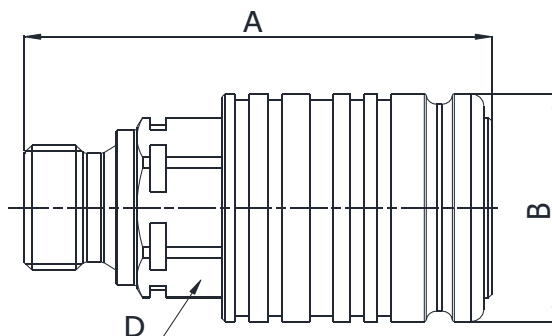
SIZE			PART NUMBER	THREAD	DIMENSIONS mm					
DN	Inch	Dash	Female coupling		A	B	C	D		
12.5	1/2"	-08	Q01311040A-08-06	3/8"	86.2	ø38	32	27		



Q01311041A

BSP TERMINATION ENDS
TO DIN 3852
X TYPE

SIZE			PART NUMBER	THREAD	DIMENSIONS mm					
DN	Inch	Dash	Female coupling		A	B	D			
6	1/4"	-04	Q01311041A-04-04	1/4"	58.1	ø26	17			
10	3/8"	-06	Q01311041A-06-04	1/4"	63	ø32	22			
10	3/8"	-06	Q01311041A-06-06	3/8"	64.5	ø32	22			
12.5	1/2"	-08	Q01311041A-08-06	3/8"	66.2	ø38	27			
12.5	1/2"	-08	Q01311041A-08-08	1/2"	67	ø38	27			
12.5	1/2"	-08	Q01311041A-08-12	3/4"	73.2	ø38	34			
20	3/4"	-12	Q01311041A-12-08	1/2"	85.7	ø48	34			
20	3/4"	-12	Q01311041A-12-12	3/4"	87.7	ø48	34			
25	1"	-16	Q01311041A-16-12	3/4"	97.9	ø54	41			
25	1"	-16	Q01311041A-16-16	1"	97.9	ø54	41			



Q01311050A

BSP TERMINATION ENDS
TO ISO 8434-6

SIZE			PART NUMBER	THREAD	DIMENSIONS mm					
DN	Inch	Dash	Female coupling		A	B	D			
12.5	1/2"	-08	Q01311050A-08-06	3/8"	68.9	ø38	27			
12.5	1/2"	-08	Q01311050A-08-08	1/2"	71.4	ø38	27			